



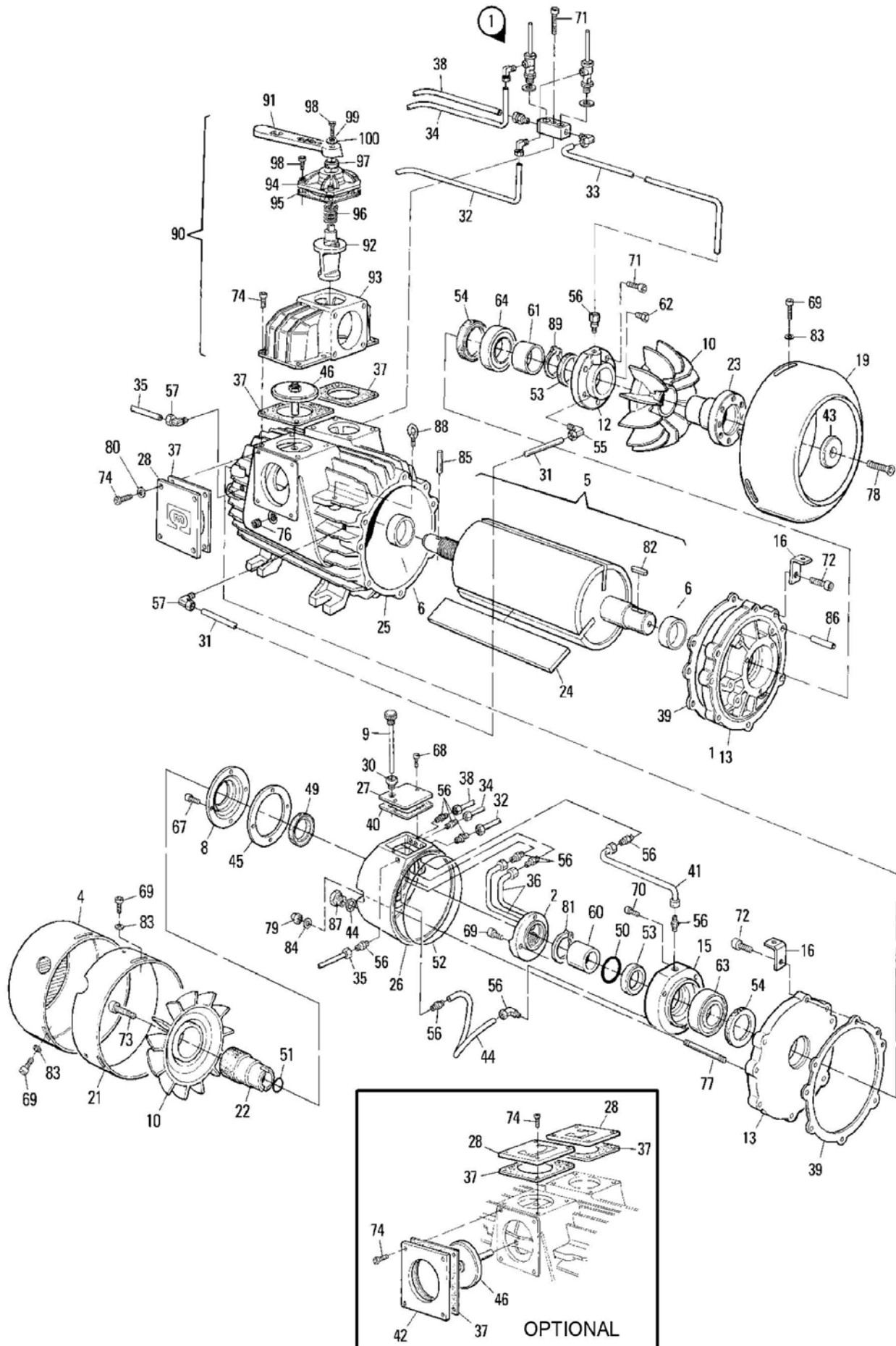
MORO USA Inc
More than a Pump Company

AC5T

Parts Breakdown



TURBO SERIES
LIQUID COOLED



PARTS BREAKDOWN

Position	Quantity	SKU	Name
1	1	6.481202092-2	Oil valve
2	1	6.481202160-2	Oil pump
3			
4	1	6.540000910-2	Cover
5	1	6.553400920-2	Rotor
6	1	6.622004150-2	Bushing
7			
8	1	6.610300120-2	Cover
9	1	6.601500060-2	Rod
10	2	6.604500000-2	Fan
11			
12	1	6.610300191-2	Flange
13	2	6.610401411-2	Flange
14			
15	1	6.610401440-2	Flange
16	6	6.613010090-2	Support
17			
18			
19	1	6.640000480-2	Cover
20			
21	1	6.645000500-2	Case
22	1	6.655000210-2	Hub
23	1	6.656000580-2	Hub
24	3	6.6575009101-1	Vane
25	1	6.662400560-2	Housing
26	1	6.663300652-2	Oil tank
27	1	6.663300690-2	Cover
28	2	6.663400090-2	Plate
29			
30	1	6.673002010-2	Fitting rod
31	2 FT	MMA410	Tube Per Foot
32	1 FT	MMA410	Tube Per Foot
33	1 FT	MMA410	Tube Per Foot
34	1 FT	MMA410	Tube Per Foot
35	1 FT	MMA410	Tube Per Foot

PARTS BREAKDOWN

Position	Quantity	SKU	Name
36	1 FT	MMA410	Tube Per Foot
37	5	6.680503250-2	Gasket
38	1 FT	MMA410	Tube Per Foot
39	2	6.1007788-2-2	Gasket
40	1	6.680600530-2	Gasket
41	1 FT	MMA410	Tube Per Foot
42	1	6.681001380-2	Stop plate
43	1	6.683001370-2	Gasket
44	1	6.683300630-2	Aluminum washer
45	1	6.680600350-2	Gasket
46	1	6.444300190-2	Valve
47			
48			
49	1	6.921002004-2	Oil seal
50	1	6.921003058-2	O-ring
51	1	6.921003103-2	O-ring
52	1	6.921003153-2	O-ring
53	2	6.921027054-2	Oil seal
54	2	6.921027057-2	Oil seal
55	1	6.924032101-2	Fitting
56	11	6.924063050-2	Fitting
57	2	6.924061050-2	Fitting
58			
59			
60	1	6.930005022-2	Bushing
61	1	6.930005021-2	Bushing
62	1	6.925070000-2	Plug
63	1	6.931005005-2	Ball bearing
64	1	6.931012004-2	Ball bearing
65			
66			
67	5	SHCS8MX25G8	Screw
68	2	SHCS6MX16G8	Screw
69	12	SHCS8MX20G8	Screw
70	3	SHCS8MX35G8	Screw

PARTS BREAKDOWN

Position	Quantity	SKU	Name
71	4	SHCS9MX30G8	Screw
72	12	SHCS10MX35G8	Screw
73	1	SHCS10MX50G8	Screw
74	14	SHCS12MX70G8	Screw
75			
76	2	6.925070000-2	Set screw
77	2	10MMX100	DBL stud
78	1	6.961125002-2	Screw
79	2	6.962025003-2	10MM acorn nut
80	4	LW12MG8	Washer
81	1	47360070037	Ring "Seeger"
82	1	6.963002067-2	Key
83	10	USSF8MG8	Washer
84	2	6.964015005-2	10MM aluminum crush washer
85	1	964018019	Elastic pin
86	4	6.964027004-2	Pin
87	1	6.965023000-2	Plug
88	2	6.965041003-2	Eye bolt
89	1	6.963003037-2	Ring
90			
91	1	6.602400040-2	Handle
92	1	6.626400280-2	Change-over device
93	1	6.626400680-2	Manifold
94	1	6.663300330-2	Flange
95	1	6.680600160-2	Gasket
96	1	6.690000342-2	Spring
97	1	6.921000074-2	Seal
98	5	SHCS8MX25G8	Screw
99	1	LW8MG8	Spring washer
100	1	USSF8MG8	Washer
		*6.889901090-2	Soft parts kit
		AC5TVK	Repair kit without bearings
		AC5TBK	Repair kit with bearings

* Parts included in AC5TBK repair kit.

NOTES



MORO USA Inc

More than a Pump Company

866-383-6304 • 636-383-6304

SALES@MOROUSA.COM

WWW.MOROUSA.COM